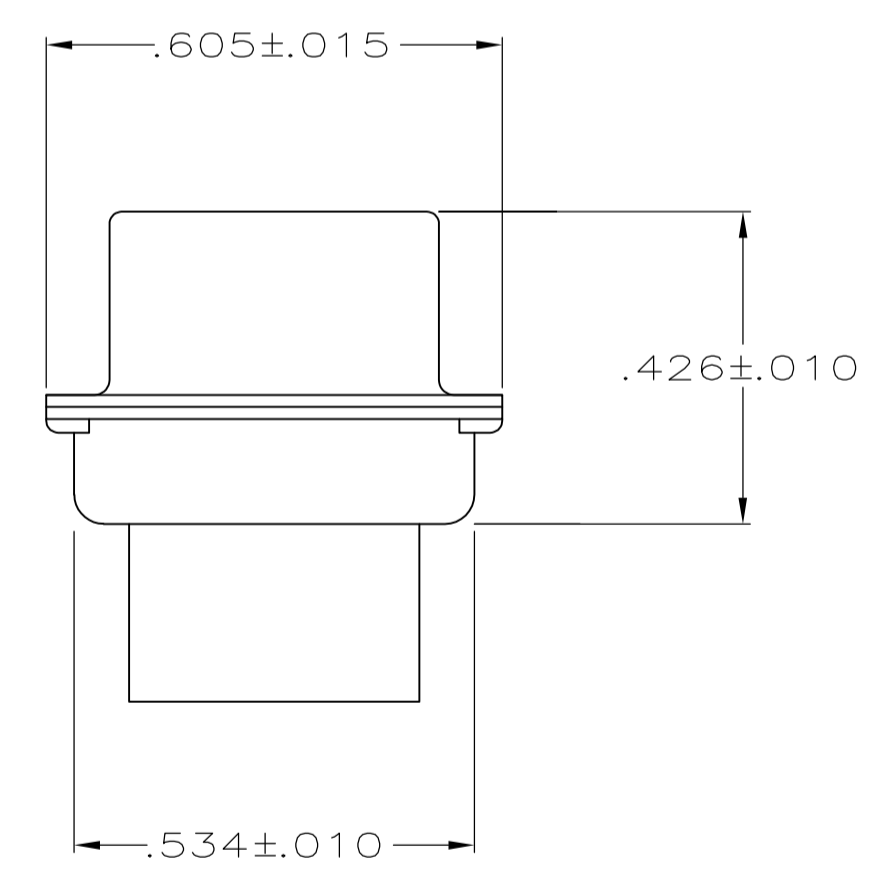
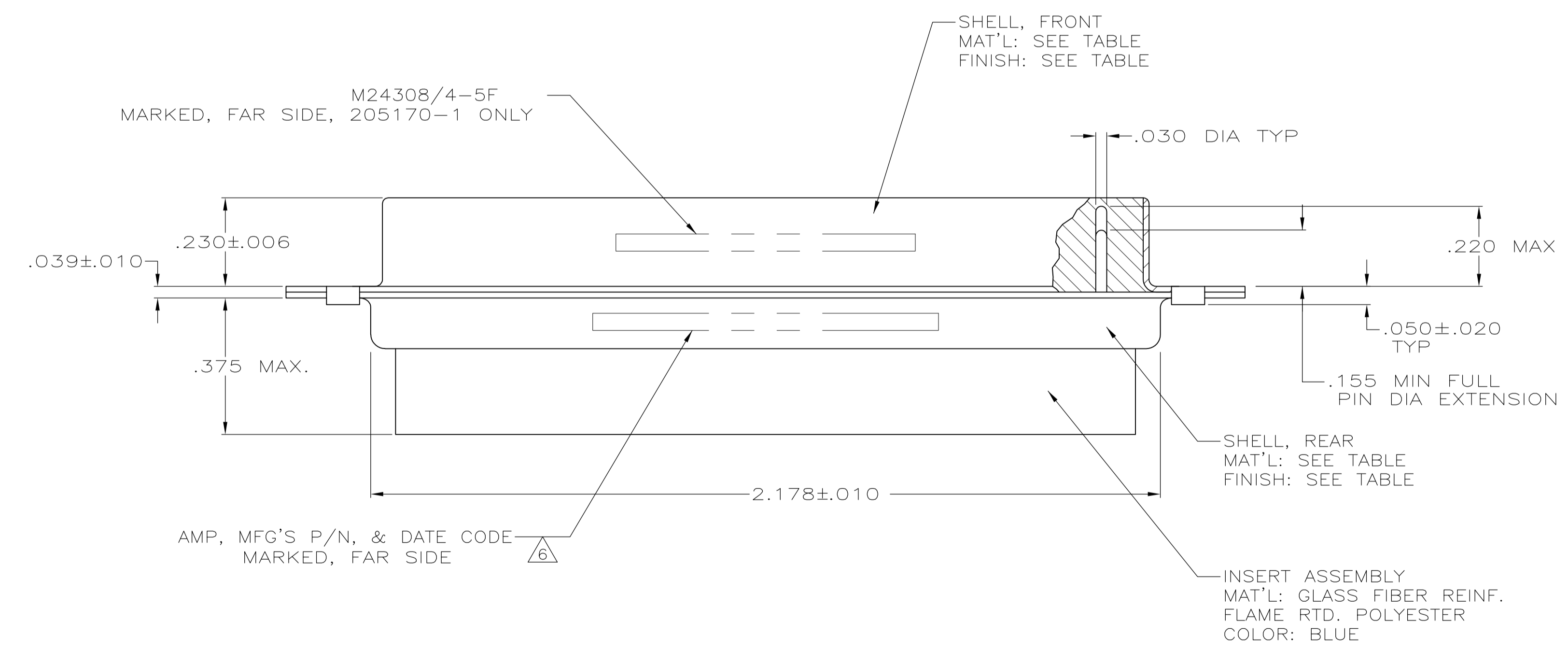
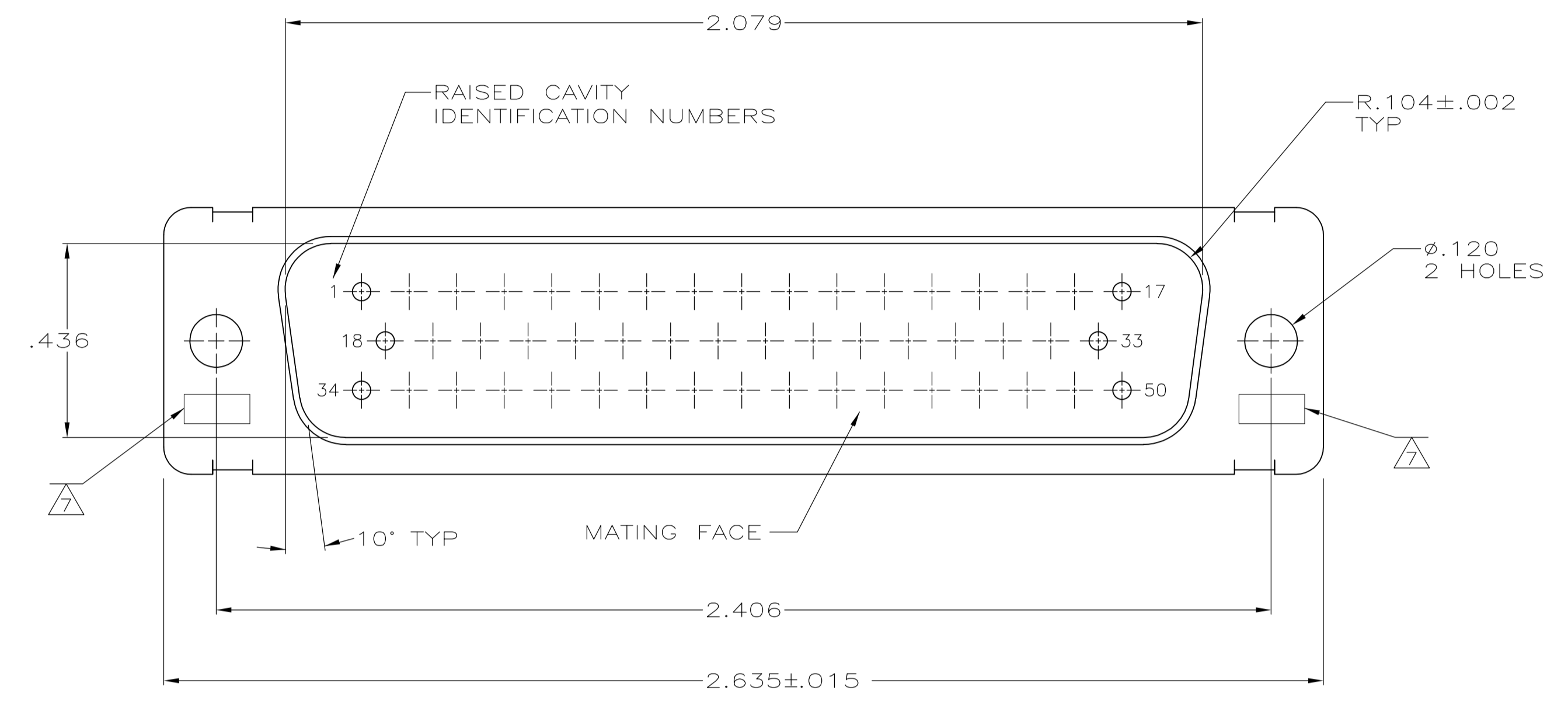


LOC		DIST		REVISIONS			
P	LTR	DESCRIPTION	DATE	DWN	APVD		
P		REV PER ECR-08-020672	22OCT08	PK	BW		



- THIS PLUG IS DESIGNED TO CONFORM TO THE LATEST ISSUE OF MIL-C-24308.
 - MAXIMUM WIRE INSULATION TO BE USED WITH THIS PLUG IS ϕ .068.
 - STAINLESS STEEL RETENTION CLIPS ARE INCLUDED IN INSERTS.
 - PACKAGE MARKED M 24308/4-263F.
 - THIS PLUG WILL ACCEPT SIZE 20 PIN CONTACT M39029/64-369 OR ANY TYCO ELECTRONICS HD-20 PIN CONTACT.
- \triangle 6 MFG,S PART NO. MARKED ON CONNECTOR REPRESENTS KIT NUMBER WITH CONTACTS.
 \triangle 7 UL/CSA DESIGNATION MARKED IN THIS AREA.
 \triangle 8 FINISH: BRIGHT TIN PER ASTM-B-545 .000400-.000550 THK OVER COPPER PER AMS2418 .000050 MIN THK.
 \triangle 9 FRONT SHELL HAS GROUNDING INDENTS, 205170-4 ONLY, (NOT SHOWN).

REMARKS	FINISH	SHELL MAT'L	PART NO.
OBSOLETE	-	\triangle 8	STEEL PER ASTM-A-109 205170-5
	\triangle 9	\triangle 8	STEEL PER ASTM-A-109 205170-4
SUPSD BY 206804-2	-	CADMIUM PER QQ-P-416	BRASS 205170-2
	\triangle 6	CADMIUM PER QQ-P-416	STEEL PER ASTM-A-109 205170-1

THIS DRAWING IS A CONTROLLED DOCUMENT.

DWN: C.C.THOMAS 08-DEC-87	OK: F.C.BALLEW 10-DEC-87	NAME: F.C.BALLEW 10-DEC-87	Tyco Electronics Corporation Harrisburg, PA 17105-3608
DIMENSIONS: INCHES	TOLERANCES UNLESS OTHERWISE SPECIFIED:	PRODUCT SPEC	APPLICATION SPEC
0 PLC ± -	1 PLC ± -	2 PLC ± -	3 PLC ± .005
4 PLC ± -	ANGLES ± 0'30"	FINISH	SEE CALLOUTS
MATERIAL: SEE CALLOUTS	WEIGHT: -	SIZE: A1	CAGE CODE: 00779
CUSTOMER DRAWING		SCALE: 4:1	SHEET 1 OF 1 REV P

AMPLIMITE PLUG FOR PIN CONTACTS
 HI-DENSITY HD-20 CONNECTOR
 SIZE 5 (50 POSN) SERIES 109